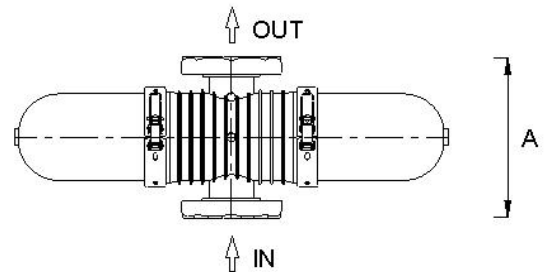
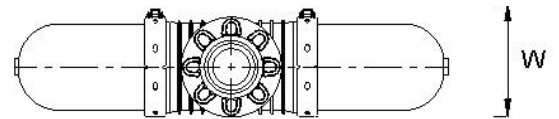


Arkal 3" Twin Filter with a detachable spine

Catalog No. 014002-*****

Features

- 3" - VIC, AK-flange, threaded inlet / outlet options.
- Non-corrosive.
- Detachable spine.
- Pressure differential disc compression.
- Robust design.
- High volume filter with increased flow capacity.
- Easy to open and close filter cover.
- Pressure testing ports are at the filters inlet and outlet.
- Available in various filtration grades.
- Drain ball valve.



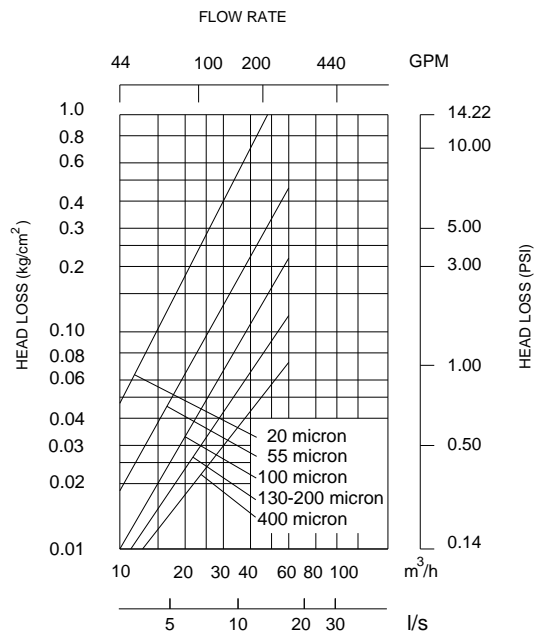
Technical Data

Inlet/outlet diameter	3" / 80 mm BSPT (male)	3" BSPT (male)
	3" VICTAULIC 3" FLANGE	3" VICTAULIC 3" FLANGE
Maximum pressure	10 atm	145 psi
Flow rate: 40-140 mesh (400-100 micron)	40 m ³ /h	176 gpm
55 micron	27 m ³ /h	119 gpm
20 micron	13 m ³ /h	57 gpm
General filtration area	1900 cm ²	294 in ²
Filtration volume	2450 cm ³	158 in ³
Filter width W	217 mm	8 9/16"
Filter length L	865 mm	34 1/16"
Distance between end connections A	320 mm	12 19/32"
Weight (flanged)	12.50 kg.	27.5 lbs
Weight (victaulic, threaded)	11 kg.	24.20 lbs
Maximum temperature	70° C	158° C
pH	5-11	5-11

Filtration Grades

- Blue (400 micron / 40 mesh)
- Yellow (200 micron / 80 mesh)
- Red (130 micron / 120 mesh)
- Black (100 micron / 140 mesh)
- Green (55 micron)

Headloss Chart



Dismantling

1. Turn off water pressure.
2. If drain valve is at the bottom of the filter, open to drain.
3. Open clamp and remove filter cover from filter body.
4. Release the tightening nut slightly.
5. Pull the detachable spine out.
6. Unscrew the tightening nut.
7. Pull out the spine extension.
8. The filter is ready for flushing.
9. If the filter discs require acid treatment: separate the element from the spine by loosening the end bolt of the inner cross.

Assembly

1. Place the discs into position on the disc spine.
2. Turn fixing nut clockwise to tighten discs.
3. Reinsert the detachable spine into its' seat.
4. Again, turn tightening nut clockwise to complete disc tightening.
5. Place filter cover on body.
6. Secure the clamp onto the cover and close using the lever.

Installation

The twin filter may be installed as a single, manually flushed unit, in a multiple backwash filter battery or as a self-flushing single filter. The two twin filter elements should always be positioned horizontally, whether end connections are pointed vertically or horizontally.

Maintenance

Filter discs may become covered by lime deposits. If head loss remains high after flushing, Chloric acid treatment of the discs is recommended.

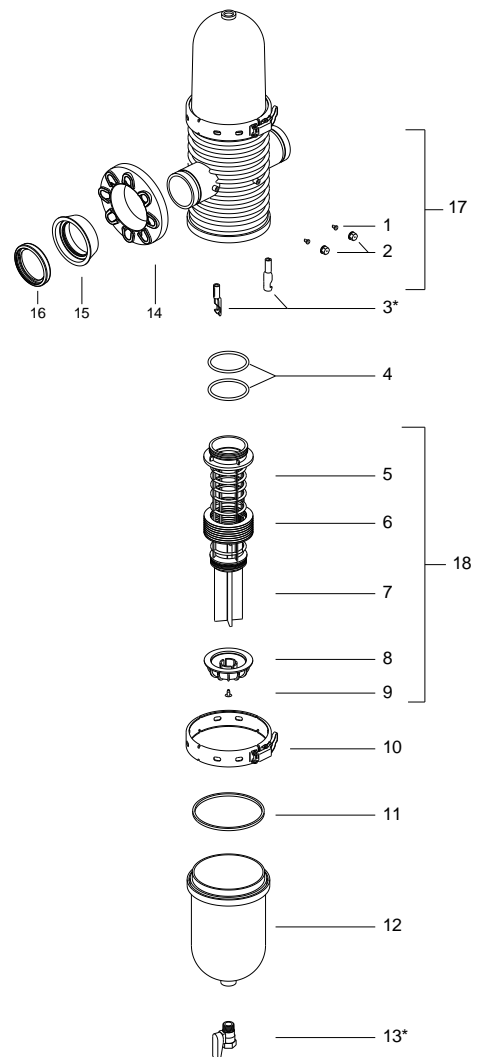
Part List

No.	Cat. No.	Description	Material
1	770104-000045	Gauge ports seal	EPDM
2	710101-000148	Gauge ports nut	RPP
3	710101-000155	Spine holder	RPA
4	770102-000297	O-ring 2-238	EPDM
5	710101-000437	Spine	RPP
6	700101-*****	Disc sets	PP
	700101-*****	Pair disc sets	PP
7	710101-000847	Spine extension	PP
8	710101-000434	Fixing nut	RPP
9	760101-000878	Fastening bolt	SS
10	760108-000002	Clamp	SS
11	770104-000248	Cover seal	EPDM
12	710101-000051	Filter cover	RPA
	710103-000029	Filter cover with 1/2" threaded	
	710101-000899	Transparent filter cover	
13 *	730104-000217	1/2" ball valve	BRASS
14	710101-000144	3" Ring flange (ASA, DIN, BSTD)	RPA
15	710101-000135	Cone flange	POM
16	770104-000034	3" Gasket	EPDM
17	700190-000099	Filter body complex threaded ends	
18	700101-*****	Single filter element	
	700101-*****	Double filter element	

(*) – Optional

Materials

- RPP - Reinforced Polypropylene
- RPA - Reinforced Polyamide
- PP - Polypropylene
- SS -Stainless Steel
- POM – ACETAL



AMIAD LIMITED WARRANTY

This certificate applies to Amiad Products purchased by You from Amiad or an Amiad authorized Distributor (“**Distributor**”). This limited warranty extends only to the original purchaser, and is not transferable to anyone who subsequently purchases, leases, or otherwise obtains the Product from the original purchaser.

1. Amiad hereby warrants that the Products are and will be free from defects in material and workmanship under normal use and service. Amiad warrants that it will correct manufacturing defects in the Products, in accordance with the conditions set out in this warranty.
2. This warranty is enforceable for a period of 12 months after the date Bill of Lading or equivalent (the “**Warranty Period**”).
3. In the event that during the Warranty Period the Distributor discovers a defect in material and/or workmanship in any Product or part (the “**Defective Product**”), it shall submit a written complaint to Amiad using Amiad's standard customer complaint form. For the receipt of the customer complaint form, the submission of the complaint or any questions please contact your customer service representative.
4. Upon written demand by Amiad the Distributor shall return the Defective Products – or a sample thereof – to Amiad, at Amiad's cost. If the customer ships any such Product, Amiad suggests the customer package it securely and insure it for value, as Amiad assumes no liability for any loss or damage occurring during shipment. Provided however that in the event Amiad determines that the warranty does not apply to such Product, Distributor shall promptly reimburse Amiad for such cost (including freight and customs). Any returned Product or part must be accompanied by the warranty certificate and the purchase invoice. It is clarified that the Distributor may not return the Defective Product unless such return was coordinate and approved by Amiad in advance.
5. Amiad's obligation under this warranty shall be limited to, at its option, the repair or exchange, free of charge, of the Product or any part which may prove defective under normal use and service during the Warranty Period. The provision of a repaired or replacement Product during the Warranty Period will result in an extension of the Warranty Period by an additional period of 12 months, provided that the total accumulated Warranty Period shall in any event be no more than 18 months from the original Bill of Lading.
6. This warranty is valid on the condition that the Products are installed according to Amiad's instructions as expressed in Amiad's instruction manuals and according to the technical limitations as stipulated in Amiad's literature or as stated by a representative of Amiad.
7. This warranty will not apply to damaged or defective Products resulting from or related to:
 - (i) Fire, flood, power surges or failures or any other catastrophe/and or unforeseen occurrence, such as but not limited to those for which the customers are customarily insured;
 - (ii) Fault, abuse or negligence of the customer;
 - (iii) Customer's responsibilities, including the failure of the intake water to meet the agreed standards, as set forth in a written document, approved by Amiad or improper storage.
 - (iv) Improper or unauthorized use of the Product or related parts by the customer, including the customer's failure to operate the Product in conformity with the recommendations and instructions of Amiad, as set forth in Amiad's manuals and other written materials, the operation of the Product other than by a trained and qualified operator, or improper installation of the Product by a third party not authorized by Amiad;
 - (v) Performance by the customer of maintenance and other services other than by a trained and qualified advanced operator, or other than in conformity with the recommendations and instructions of Amiad, or other than in accordance with procedures defined in the literature supplied for Products;
 - (vi) Any alteration, modification foreign attachment to or repair of the Products, other than by Amiad or its authorized technical representatives.
8. In no event shall Amiad be liable to the customer or any third party for any damages, including indirect, special, exemplary, punitive or consequential damages, or lost profits arising out of or in connection with this warranty, or arising out of or in connection with the Product's performance or failure to perform, even if it has been advised of the possibility of such damages.
9. Amiad will be excused for failure to perform or for delay in performance hereunder if such failure or delay is due to causes beyond its reasonable control or force majeure preventing or hindering performance.
10. The limited warranty set forth herein is the only warranty given by Amiad and is provided in lieu of any other warranties created by any documentation, packaging or otherwise.
11. Amiad makes no warranty whatsoever in respect of accessories or parts not supplied by Amiad. In the event that Amiad is required to correct a defective Product or product not covered by this warranty, it will do so solely in consideration for additional fees.