

107

WAFER BUTTERFLY VALVE

PN 16 2"-24" (50-600mm)

Short Face to Face
acc. ISO 5752
Ductile cast iron
Fully vulcanized
Long neck

LONG LIFE VALVES



Top flange acc. ISO 5211.

Products

Type	Operation	Disc	Nominal size														
			mm	50	65	80	100	125	150	200	250	300	350	400	450	500	600
			inches	2"	2 1/2"	3"	4"	5"	6"	8"	10"	12"	14"	16"	18"	20"	24"
001	Gear	Ductile Iron Nylon coating (Rilsan)		*	*	*	*	*	*	*	*	*	*	*	*	*	*
002	Lever			*	*	*	*	*	*	*	*	*	*	*	*	*	*
003	Bare shaft			*	*	*	*	*	*	*	*	*	*	*	*	*	*
004	Gear	Ductile Iron Rubber lining		*	*	*	*	*	*	*	*	*	*	*	*	*	*
005	Lever			*	*	*	*	*	*	*	*	*	*	*	*	*	*
006	Bare shaft			*	*	*	*	*	*	*	*	*	*	*	*	*	*
007	Gear	S.S.316 (CF8M)		*	*	*	*	*	*	*	*	*	*	*	*	*	*
008	Lever			*	*	*	*	*	*	*	*	*	*	*	*	*	*
009	Bare shaft			*	*	*	*	*	*	*	*	*	*	*	*	*	*
010	Gear	Worthite		*	*	*	*	*	*	*	*	*	*	*	*	*	*
011	Lever			*	*	*	*	*	*	*	*	*	*	*	*	*	*
012	Bare shaft			*	*	*	*	*	*	*	*	*	*	*	*	*	*

Flange connection: DIN, BS, ANSI

Lining: NBR, EPDM, BOTYL, HYPALON

* Order example: 107 Type 002 EPDM DN 400 BS

* For sizes above 24" please contact our sales department.

Description

Application

Multipurpose, Bi-Directional Shut off valve.
 Working temperature up to - NBR + Botyl:70°C
 Hypalon + EPDM:120°C

Operation by:

Lever, Gear, Pneumatic or Electric Actuator.

Coating

Body: Epoxy 50-150 mic.

Advantages

Liner: Fully vulcanized liner seat.

- Guaranteeing seat stability;
- Optimum tightness
- Prevents corrosion between liner and body.
- Eliminates the need of separate gaskets for installation.
- Dry shaft - prevents leakage outside the valve.

Split Shaft:

- Without any pins or bolts pinned on the disc.
- Square end disc ensuring maximum transfer of torque during open/close operation.

Material Specification		
1	Washer	ST 37 Galvanized
2	Retaining Ring	DIN 471
3	Bearing Bush	Bronze C385 / RN
4	O-Ring	NBR
5	Woodruff Key	Woodruff standard
6	Shaft-Top	SS416 / SS316 / DUPLEX
7	Body	Ductile Iron GGG50
8	Disc	D.I. GGG50 - Nylon 11 (Rilsan) coating / D.I. GGG50 - Rubber vulcanized / S.S. 316 / Worthite
9	Shaft-Bottom	SS416/SS316/DUPLEX
10	Packing Ring	Fibre
11	Cap	Brass / RN

Disc:

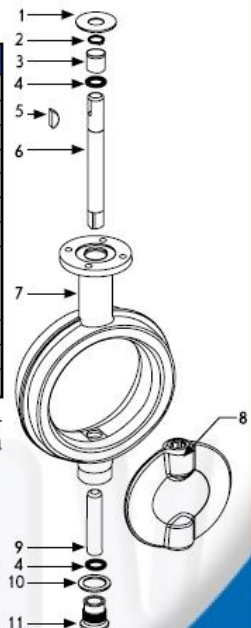
- Shaped disc with smooth contoured edge-minimize friction losses and providing a drop tight seal.
- Very low head loss.

Body: Ductile cast iron.

- Hammering and pressure proof.
- Can be installed between all kinds of flanges.

Gear: Powerful low ratio gear.

- Option - IP65

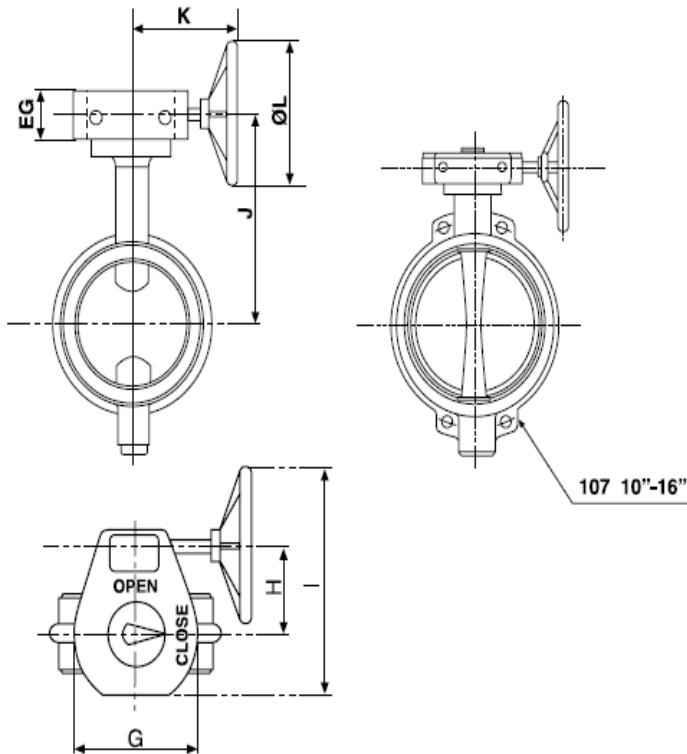


Applications for:	Drinking water	Air cooling system	Hot water	Steam	Water treatment	Sewage water	Sea water	Desalination plants	Chemical industry	Food industry	Pulp/Paper industry	Dry air	Gas	Vacuum
	✓	✓	✓	✓	✓	✓	✓	✓	✓	✓	✓	✓	✓	✓

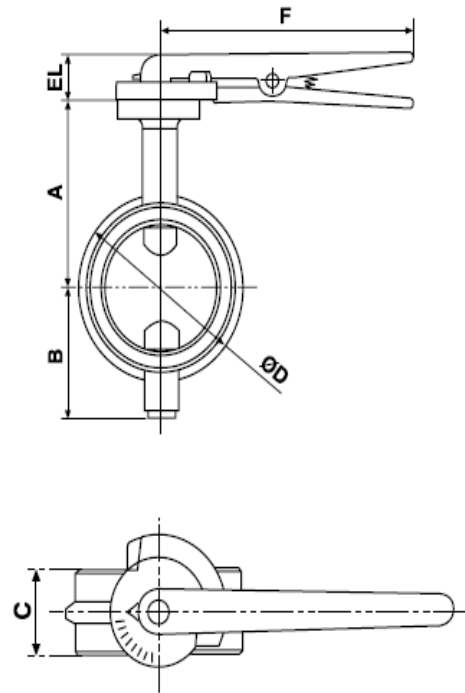
BUTTERFLY VALVES

107 WAFER BUTTERFLY VALVE PN16

Dimensions (mm)



107G - Gear operated



107L - Lever operated

107 Dimensions Table

	Dimension	DN														
		mm	50	65	80	100	125	150	200	250	300	350	400	450	500	600
		inches	2"	2.5"	3"	4"	5"	6"	8"	10"	12"	14"	16"	18"	20"	24"
General	A	126	130	157	170	180	200	242,5	282	301,5	314,5	360,5	390	410	490	
	B	89	86	101	108,5	125	145	186,5	223	243,5	258,5	295,5	330	355	435	
	C	44	44	46	52	56	56	60	68	78	78	102	114	127	154	
	D	101,5	118,5	127/143	162	192	216	272	333	381	438	490	—	—	—	
107L	EL	37	37	37	37	37	37	35	55	55	—	—	—	—	—	
	F	265	265	265	265	265	265	354	440	440	—	—	—	—	—	
	[Kg]	3	3,5	4,5	5,5	6,5	10,5	15	29	38	—	—	—	—	—	
107G	EG	61	61	61	61	61	61	61	78	78	83	83	150	170	170	
	G	120	120	120	120	120	120	120	172	172	201	201	—	—	—	
	H	47	47	47	47	47	47	47	80	80	100	100	—	—	—	
	I	167,5	167,5	167,5	167,5	167,5	167,5	167,5	264,5	264,5	410	410	—	—	—	
	J	154	158	185	198	208	228	270,5	316	335,3	359,5	405,5	465	480	575	
	K	144	144	144	144	144	144	144	235	235	330	330	320	395	420	
	L	135	135	135	135	135	135	135	215	215	490	490	600	500	500	
	[Kg]	4,7	5	6	7	8,5	10,5	15	30	39	58	79	117	139	231	
Bare shaft	[Kg]	2,7	3	4	5	6,0	8,5	13	25	34	45	66	—	—	—	
Top Flange		F07	F07	F07	F07	F07	F07	F07	F10	F10	F14	F14	F16	F16	F16	

Dimensions and weight can be changed without notification.